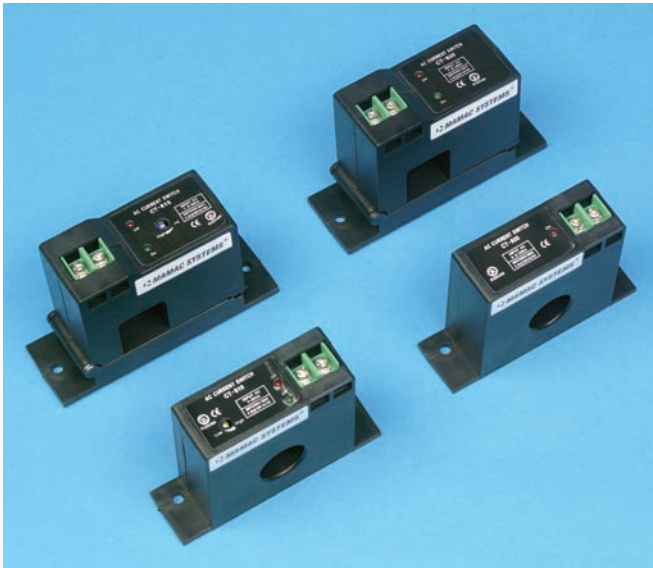




Current Switches

Model CT-800/805/810/815



- Available in two transformer core configurations: solid or split-core for ease of installation.
- Two trip set point options are available: fixed or adjustable.
- LED indication for load status and current flow.
- Switch output is rated for up to 135 VAC/VDC.
- UL listed and CE certified.

CT-800 series Current Switches provide a reliable and low cost solution to monitor status of supply/exhaust fans, pumps, compressors, unit ventilators, lighting or any other equipment consuming current.

CT-800 solid-core and CT-805 split-core have a fixed set point and will switch on if the load/current exceeds 0.5 Amp. The fixed set point can be lowered to 0.250 Amp with two turns through the C.T. or 0.125 Amp with four turns. CT-810 solid-core and CT-815 split-core have an adjustable set point of 1 to 200 Amps. Trip set point can be easily field adjusted by turning a trimmer. LED indication is provided to show status.

All 800 series Current Switches are rated to switch up to 1.0 Amp @ 35 VAC/VDC or 0.35 Amp @ 135 VAC/VDC eliminating the need and expense of an in line relay or load interlock. 5 year warranty, UL listed, CE certified and the lowest cost in the industry are some of the features which make the 800 series an ideal solution for load status monitoring and alarming functions.



8189 Century Boulevard • Minneapolis, MN 55317-8002 • USA
800-843-5116 • 952-556-4900 • Fax 952-556-4997
sales@mamacsys.com • www.mamacsys.com

Baird House, Units 6&7
Pensnett Estate • Kingswinford
West Midlands • DY6 7YA • United Kingdom
01384-271113 • Fax 01384-271114

4 Arminger Court, Unit 2
Holden Hill • S.A. 5088 • Australia
08-8395-4333 • Fax 08-8395-4433

155 McIntosh Drive, Units 5&6 • Markham
Ontario • L3R 0N6 • Canada
905-474-9215 • Fax 905-474-0876

No. 22 Lorong 21A Geylang # 11-02
Prosper Industrial Building
Singapore • 388421
656-3927273 • Fax 656-3927276

SPECIFICATIONS:

Supply Voltage: Self-Powered

Isolation Voltage: 1000 VAC

Frequency Range: 45/65 Hz

Operating Temp: 32°-158°F (0-70°C)

Environmental: 10-90% RH, Non-Condensing

Termination: Terminal Block 14 Ga max

Agency Approvals: UL listed, CE certified

Fixed Set Point: 0.5 Amp

Adjustable Set Point: 1.0 to 200 Amps

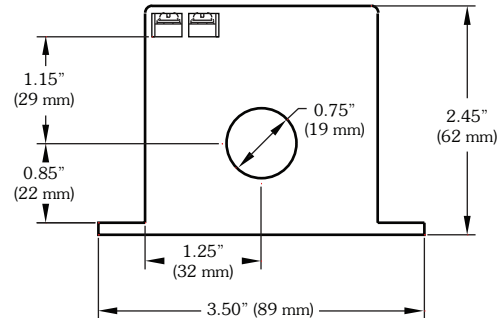
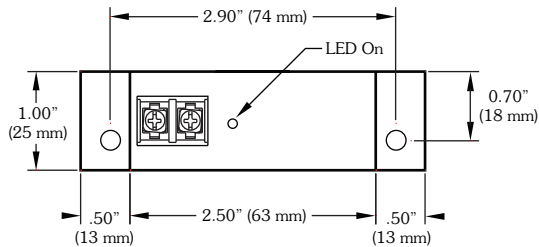
Max. Switching Current: 1.0 Amp @ 35 VAC/VDC
0.35 Amp @ 135 VAC/VDC

Housing: UL 94-V-0 Flame retardant ABS Plastic

ORDERING INFORMATION:

Model	Description
CT-800	Solid-core fixed set point
CT-805	Split-core fixed set point
CT-810	Solid-core adjustable set point
CT-815	Split-core adjustable set point

CT-800 / CT-810



CT-805 / CT-815

